

VTL Amplifiers, Inc.
4774 Murietta Street, Suite 10
Chino, California 91710
USA



Tel (909) 627-5944
Fax (909) 627-6988
e-mail mail@vtl.com
<http://www.vtl.com/>

Dear VTL Customer:

CAUTION! Tubes are not installed in the amplifiers.

Please insert the Output tubes onto the tube sockets before turning on the amplifier.

See instructions below:

Changing Top Cover Screws

When the amplifier is first shipped from the factory, the top cover is installed with locking screws.

These screws can be removed and replaced once the amplifier is setup in the listening area so that the top cover can be removed easily without any hand tools.

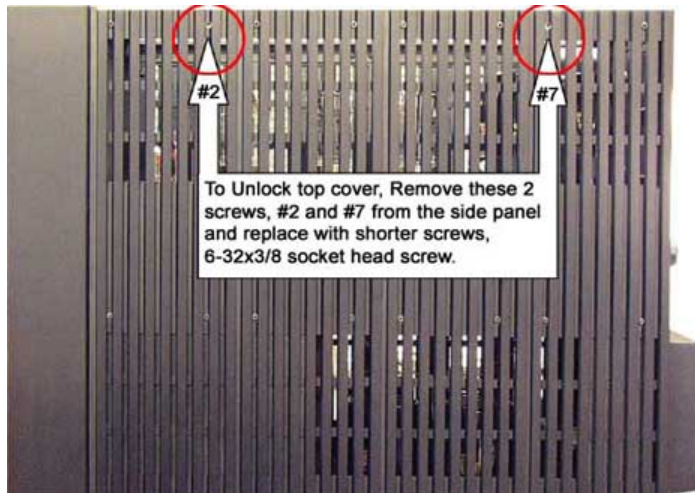
Once the locking screws are removed, please put them in the Spare kit that came with the amplifier. You will need to put these screws back when shipping or moving the amplifier to ensure that the top cover is securely fastened.

The top cover of the amplifier is fitted with long screws (6-32x5/8 Phillips head and 6-32x7/8 socket head) in three strategic locations along the top cover. To remove the top cover, these three screws must be removed first. Two of the long screws (socket heads) are located on the right side panel, screw #2 and #7 counting from the side closest to the front panel. The third screw (Phillips head) is located on the top right hand corner of the back panel.

After the three long screws are removed, gently lift up the top cover. Enclosed in the spare package are the shorter replacements screws. Replace the right side panel #2 and #7 screws with two 6-32x3/8" socket head screws. Replace the back panel screw with the 6-32x3/8" flat head

screw. Tighten the screws without overdriving them. Put the top cover back onto the amplifier.

You can now remove or replace the top cover easily without using any tool.



WARNING: there are high temperatures and hazardous voltages inside the unit. If any household members might accidentally be exposed to these temperatures or voltages, then the cover shipping screws should be left in place to prevent accidental removal of cover.



Retrieve Tubes Stored in the Crate Cover

The Output tubes and Input/Driver tubes of the Siegfried Amplifiers are stored inside the cover of one of the crates. Remove the screws that hold the cover to the crate (total 10 screws) and open up the cover to see the tubes inside as in the photo below:



The Output tubes are stored in two rows of 12 tubes each. The serial number is marked on the foam to indicate which amplifier the tubes should be installed. Please remove the tubes from the tube box and install them to the output tube sockets of the amplifier.



Two Rows of Output tubes inside the cover. Each row for one amplifier.

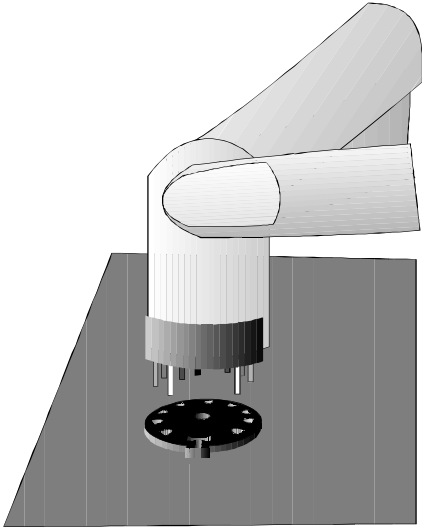
Be very careful to match the pin on the base of the tube to the notch (key) on the tube socket.

Use a rotation motion to insert the tubes. DO NOT FORCE THE TUBES into the socket otherwise you will break the pin. Insert the output tubes to the tube sockets labeled 1 to 12 as below



If the input and driver tubes have been removed during shipping, please locate them inside the cover for the tubes. Insert the 12AT7 (1 pc) and 12BH7 (2 pc) into the input and drive tube sockets as labeled in the photo above.

1. Plugging in a new tube: Hold onto the upper portion of the tube towards its tip. Lower the tube onto the socket, making sure that the pins from the tube match the holes in the socket.



2. For the smaller input tube, there are two pins on the tube, which are spaced at a wider distance from each other than the rest of the pins (9 pin miniature tubes). Press the tube firmly into its socket, using a gentle force and a slight “rocking” motion. When the tube is properly and completely inserted into the socket it should be firmly seated and does not give in to any movement at all when you try to rock it gently. If the socket appears loose and not making contact with any or all of the tube pins, contact VTL for help.

3. **With the Auto Bias function in the amplifier, the output tubes can be placed in any order in the amplifier and they will be biased automatically when the amplifier is turned on.** For the Output tubes, there is a locating pin in the middle of the tube (8 pin octal tubes). Make sure that these locators

go into the side of the socket that matches. Press the tube firmly into its socket, using a gentle force and a slight “rocking” motion. When the tube is properly and completely inserted into the socket it should be firmly seated and does not give in to any movement at all when you try to rock it gently. If the socket appears loose and not making contact with any or all of the tube pins, please contact VTL for help.

4. Replacing the protective cover: Lower the top cover slowly back onto the top of the amplifier, making sure that the cover is put on in the correct front and back position and that the cover is securely fastened to the unit.